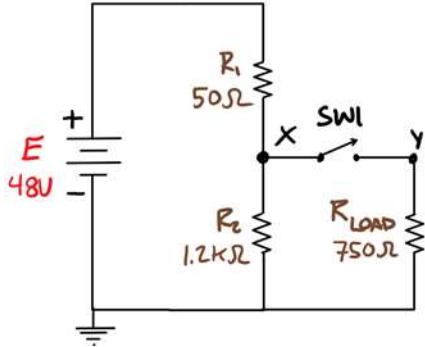


### Series-Parallel Voltage Divider Circuits

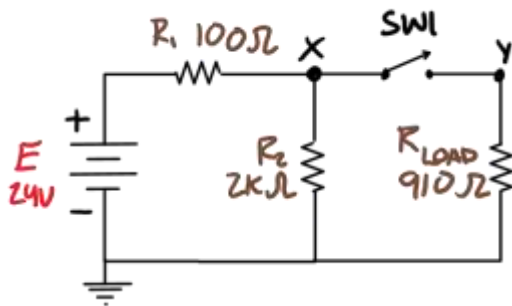
Differentiate between unloaded and loaded series-parallel voltage dividers.

Determine the voltage across and current through each element in this system as well as  $V_{XY}$  when the switch is open and again when the switch is closed.



Determine the voltage across and current through each element in this system as well as  $V_{XY}$  when the switch is open and again when the switch is closed.

ERROR at 7:56 Switch open  $V_1 = 1.1V$ ,  $V_2 = 22.9V$ ,  $I_1 = I_2 = 11.4mA$



Determine the voltage across, current through, and power consumed by each load this system for the following scenarios:

- scenario 1 SW1 closed SW2 open
- scenario 2 SW1 open SW2 closed
- scenario 3 SW1 closed SW2 closed

