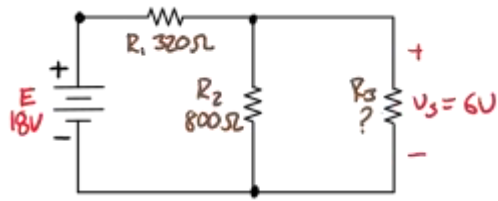
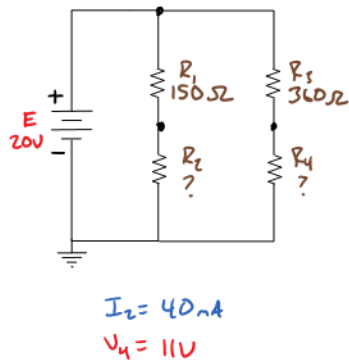


Series-Parallel DC Circuits Examples: Level 2

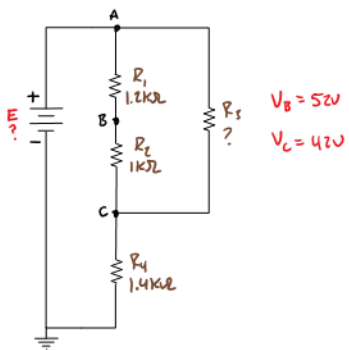
Determine the electrical properties for all elements in this system.



Determine the electrical properties for all elements in this system.



Determine the electrical properties for all elements in this system.



Determine the electrical properties for all elements in this system.

